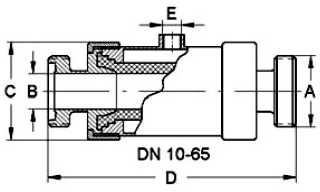
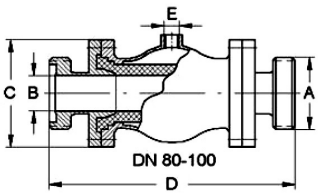
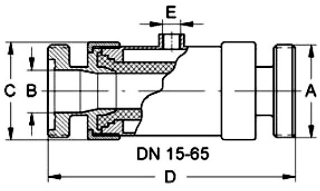
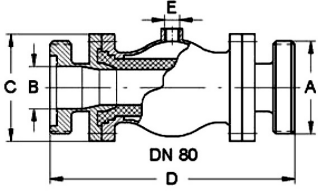


Pinch valves							Art.No	EUR	Art.No	EUR
Pinch valve with hygienic threaded ferrule DIN, 10-65 	DN	A	B	C	D	E			AISI304 / 316L-NR	
	10	28x1/8"	10	40	118	G 1/8"			580930	Enquiry
	15	34x1/8"	16	44	122	G 1/8"			580931	Enquiry
	20	44x1/6"	20	55	132	G 1/8"			580932	Enquiry
	25	52x1/6"	26	68	160	G 1/8"			580933	Enquiry
	32	58x1/6"	32	75	190	G 1/8"			580934	Enquiry
	40	65x1/6"	38	90	202	G 1/8"			580935	Enquiry
	50	78x1/6"	50	105	216	G 1/4"			580936	Enquiry
	65	95x1/6"	66	144	242	G 1/4"			580937	Enquiry
See hygienic screwed pipe connection DIN 11853-1 chapter B8										
Pinch valve with hygienic threaded ferrule DIN, 80-100 	DN	A	B	C	D	E			AISI304 / 316L-NR	
	80	110x1/4"	81	168	292	G 1/4"			580938	Enquiry
	100	130x1/4"	100	192	354	G 1/4"			580939	Enquiry
See hygienic screwed pipe connection DIN 11853-1 chapter B8										
Pinch valve with hygienic threaded ferrule DIN-ISO, 15-65 	DN	A	B	C	D	E			AISI304 / 316L-NR	
	15	44x1/6"	18,1	44	126	G 1/8"			581031	Enquiry
	20	52x1/6"	23,7	55	142	G 1/8"			581032	Enquiry
	25	58x1/6"	29,7	68	168	G 1/8"			581033	Enquiry
	32	65x1/6"	38,4	75	192	G 1/8"			581034	Enquiry
	40	78x1/6"	44,3	90	202	G 1/8"			581035	Enquiry
	50	95x1/6"	56,3	105	226	G 1/4"			581036	Enquiry
65	110x1/4"	71,5	144	254	G 1/4"			581037	Enquiry	
See hygienic screwed pipe connection DIN 11853-1 chapter B8										
Pinch valve with hygienic threaded ferrule DIN-ISO, 80 	DN	A	B	C	D	E			AISI304 / 316L-NR	
	80	130x1/4"	84,3	168	308	G 1/4"			581038	Enquiry
See hygienic screwed pipe connection DIN 11853-1 chapter B8										